

Ceramic Urinal with the Radar Flushing Unit SLP 49S



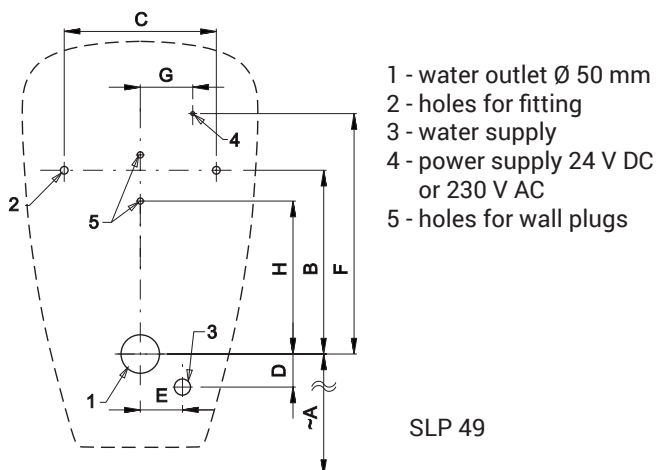
SLP 49 - CAPRINO PLUS RIMLESS

Characteristics



- economy flushing by 1 liter of water
- easy installation by the help of paper drill template
- whole flushing unit is placed behind the urinal
- system reacts only on the direct use of the urinal (it analyses changes, which are proceeded inside of the urinal, when a liquid is flowing through)
- adjustable flushing time 0,5 - 15,5 s
- parameters adjustment by remote control SLD 04 without the necessity to dismantle the urinal from the wall (acoustic setting indication)
- automatic flushing after each 6 hours non-use
- monitoring of battery capacity (for models with index B)
- possibility to regulate a water flow by the ball valve
- radar flushing unit recharges a water to the siphon after each flushing

Installation Drawing



Dimensions (mm)	A	B	C	D	E	F	G	H
SLP 49 - CAPRINO PLUS RIMLESS	400	260	240	50	60	350	60	215

* for the height of the front edge of the urinal 650 mm above the floor

Supply Specification

SLP 49S	- Supply No. 01498	ceramic urinal with the radar flushing unit, electromagnetic valve, connecting hoses,
SLP 49Z	- Supply No. 01499	angle valve with filter and check valve, inlet fitting with a rubber sealing, siphon,
SLP 49B	- Supply No. 01497	mounting set, paper drill template, power supply (SLP 49Z), 4 pcs. AA alkaline batteries 1,5 V, 2700 mAh with battery case (SLP 49B)

Technical Specification

Operating voltage

- SLP 49B 6 V
- SLP 49S 24 V DC
- SLP 49Z 230 V AC/50 Hz

Power input

- operating by 24 V DC 8 W
- operating by 6 V 3 W

Recommended flow pressure

- 0,1 - 0,6 MPa
- Rate of flow** 18 l/min (inf. data)
- Water inlet** male thread G 1/2"
- Water outlet** inlet fitting with a rubber sealing



Recommended Accessories

SLZ 01Y	- Supply No. 05012	power supply 24 V DC for operating of max. 5 pcs. of flushing units
SLZ 01Z	- Supply No. 05011	power supply 24 V DC for operating of max. 9 pcs. of flushing units
SLZ 04Y	- Supply No. 05042	power supply 24 V DC on DIN rail, for operating of max. 5 pcs. of flushing units
SLZ 04Z	- Supply No. 05041	power supply 24 V DC on DIN rail, for operating of max. 9 pcs. of flushing units
SLZ 04X	- Supply No. 10049	power supply 24 V DC on DIN rail, for operating of max. 15 pcs. of flushing units
SLZ 06	- Supply No. 05060	power supply 24 V DC for operating of max. 1 pc. of flushing unit
SLD 04	- Supply No. 07040	remote control for an adjustment of parameters
SLA 11	- Supply No. 06110	deodorising urinal screen - orange colour, mango scent
SLA 11A	- Supply No. 06111	deodorising urinal screen - red colour, kiwi and grapefruit scent
SLA 11B	- Supply No. 06112	deodorising urinal screen - transparent colour, honeysuckle scent
SLA 11C	- Supply No. 06113	deodorising urinal screen - blue colour, cotton bloom scent
SLR 01L	- Supply No. 08015	mounting frame to the plasterboard for the urinal with radar flushing unit on the mounting rail
SLA 36	- Supply No. 06360	set of 4 pcs. alkaline batteries AA 1,5 V, 2700 mAh (for models with index B)