

Automatic Wall-mounted Tap Behind Mirror SLZN 84D



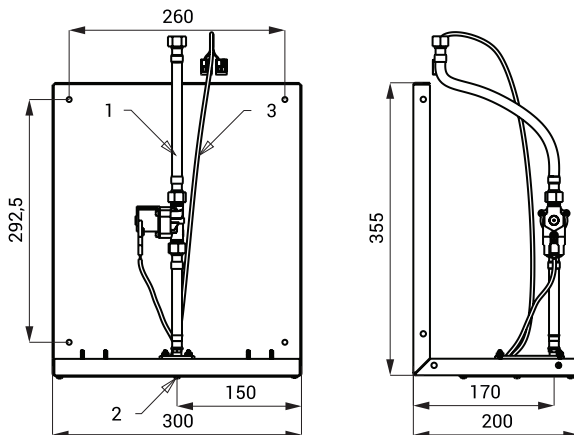
SLZN 84D

Characteristics



- economical aerator, rate of flow 6 l/min
- hygienic flush
- lead free
- automatic wall-mounted tap behind mirror with electronics ALS
- mounting behind mirror
- is destined for cold or premixed water
- water if flowing as long as hands are in the active range under the mirror
- water stops flowing after removal of hands from the active range sensor after adjustable time delay (can be set in range 0,25 – 7,75 s)
- function of automatic water stop after 5 minut of continuous flow
- START/STOP program
- parameter adjustment using by the remote control SLD 03

Dimensions



- 1 - water inlet 3/8"
2 - water outlet
3 - power supply 24 V DC

Technical Specification

Dimensions	355 x 200 x 300 mm
Operating voltage	24 V DC
Power input	7 W
Active range	
▪ standard	0,13 - 0,19 m
▪ START/STOP program	0,05 - 0,15 m
Recommended flow pressure	0,1 - 0,6 MPa
Rate of flow	6 l/min. (inf. data)
Water inlet	male thread G 1/2"

Supply Specification

SLZN 84D - Supply No. 85841 stainless steel mounting holder with spout and electronics, electromagnetic valve, connecting hoses, angle valve with filter

Recommended Accessories

SLZ 01Y	- Supply No. 05012	power supply 24 V DC for operatin of max. 5 pcs. of taps
SLZ 01Z	- Supply No. 05011	power supply 24 V DC for operatin of max. 9 pcs. of taps
SLZ 04Y	- Supply No. 05042	power supply 24 V DC for DIN rail, for operatin of max. 5 pcs. of taps
SLZ 04Z	- Supply No. 05041	power supply 24 V DC for DIN rail, for operatin of max. 9 pcs. of taps
SLZ 04X	- Supply No. 10049	power supply 24 V DC for DIN rail, for operatin of max. 15 pcs. of taps
SLZ 06	- Supply No. 05060	power supply 24 V DC pro max. 1 pc. of tap
SLD 03	- Supply No. 07030	remote control for an adjustment of parameters