

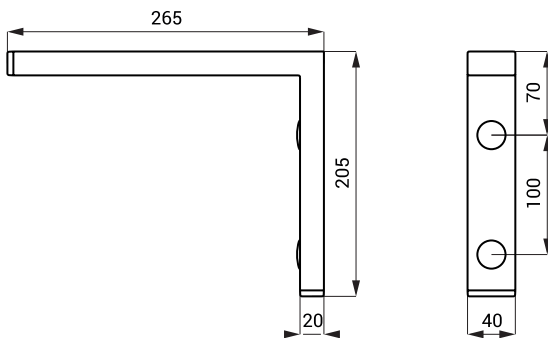
Supportive Stainless Steel Bracket for SLUN 10 SLZN 81



Characteristics

- supportive stainless steel bracket for longer or atypical troughs SLUN 10
- ensures the safety and strength of the trough
- material AISI - 304
- could be made to order from stainless steel AISI - 316L (for models with index L)

Dimensions



Technical Specification

Dimensions

265 x 40 x 205 mm

Supply Specification

SLZN 81 - Supply No. 85810 supportive stainless steel bracket (1 pc.)
SLZN 81L - Supply No. 85811