

Coin and Token Machines for Door Opening SLZA 40, SLZA 40V



SLZA 40



SLZA 40V



SLZA 40Z



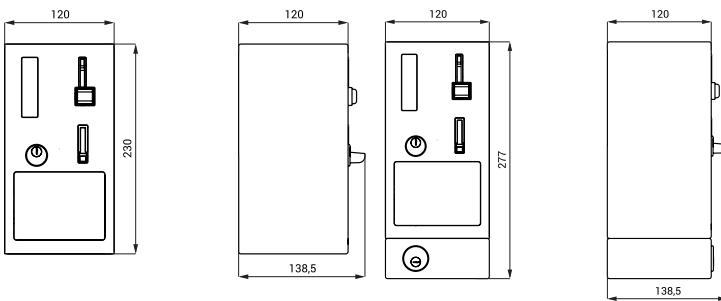
SLZA 40VZ

Characteristics



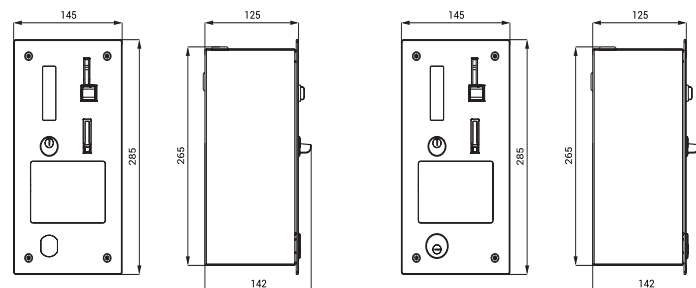
- for disabled people
- vandal-proof
- coin and token machine for door opening (12 V), electromagnetic lock
- after inserting the minimal requested credit (coin or token) the door lock opens for adjusted time
- the machine adds up the coins but does not return
- model with index V - with eurokey
- model with index Z - recessed
- parameters adjustment on display inside of the machine using by the remote control SLD 05 (door lock unlocking interval, value for unlocking, current euro exchange rate, choice of control - mode **with** or **without** door contact)
- lockable
- material AISI - 304
- could be made to order from stainless steel AISI - 316L
- brushed finish

Installation Drawing



SLZA 40

SLZA 40Z



SLZA 40V

SLZA 40VZ

Technical Specification

Dimension of hole in the wall for models with index Z	265 x 127 x 125 mm
Operating voltage	24 V DC
Max. power input of electromagnetic lock	20 W
Power input in sleep mode	2,5 W
Types of coins	5, 10, 20 and 50 CZK, 1 and 2 EUR, metal token
Adjustable time for unlocking	1 - 310 s, standard 10 s
Adjustable minimum for unlocking	5 - 95 CZK, standard 5 CZK

Supply Specification

SLZA 40	-	Supply No. 88400	stainless steel coin machine with electronics, coin holder and coin box, eurokey,
SLZA 40V	-	Supply No. 88404	set of keys (2 pcs.)
SLZA 40Z	-	Supply No. 88401	stainless steel coin machine with electronics, coin holder and coin box, eurokey,
SLZA 40VZ	-	Supply No. 88405	set of keys (2 pcs.) mounting frame

Recommended Accessories

SLZA 50	-	Supply No. 88500	set of 50 pcs. of tokens for coin machine
SLZ 01Y	-	Supply No. 05012	power supply 24 V DC for operating of max. 1 pc. of machine
SLZ 01Z	-	Supply No. 05011	power supply 24 V DC for operating of max. 3 pcs. of machines
SLZ 04Y	-	Supply No. 05042	power supply 24 V DC for DIN rail, for operating of max. 1 pc. of machine
SLZ 04Z	-	Supply No. 05041	power supply 24 V DC for DIN rail, for operating of max. 3 pcs. of machines
SLZ 04X	-	Supply No. 10049	power supply 24 V DC for DIN rail, for operating of max. 5 pcs. of machines
SLD 05	-	Supply No. 07050	remote control for an adjustment of parameters