

RFID Token Credit Value Readers SLZA 30C, SLZA 30CZ



SLZA 30CZ

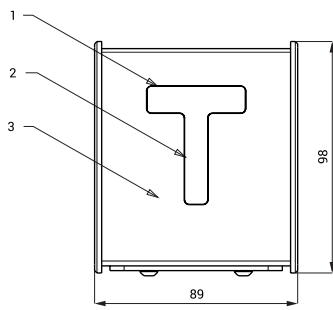


SLZA 30C

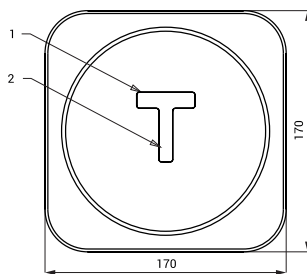
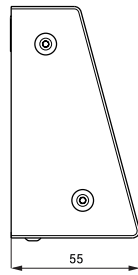
Characteristics

- stainless steel credit value readers for RFID tokens
- for check of credit value on RFID token
- possibility of automatic charging of the units to the token
- model with index C - wall hung credit value reader
- model with index CZ - recessed credit value reader
- material AISI - 304
- brushed finish

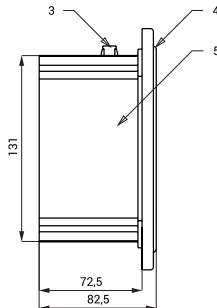
Dimensions



SLZA 30C



SLZA 30CZ



Technical Specification

Stainless steel cover dimension (SLZA 30CZ)	170 x 170 x 10 mm
Plastic mounting box dimensions (SLZA 30CZ)	140 x 140 x 75 mm
Dimension (SLZA 30C)	96 x 74 x 51 mm
Operating voltage	24 V DC
Power input	1 W

- 1 - display
- 2 - RFID active range
- 3 - stainless steel case with plastic sideboards

- 1 - display
- 2 - RFID active range
- 3 - power supply 24 V DC
- 4 - stainless steel cover with electronics
- 5 - plastic mounting box

Supply Specification

SLZA 30C - Supply No. 89301	stainless steel credit value reader with display
SLZA 30CZ - Supply No. 89302	stainless steel credit value reader with display, plastic mounting box

Recommended Accessories

SLZ 01Y - Supply No. 05012	power supply 24 V DC
SLZ 04Y - Supply No. 05042	power supply 24 V DC for DIN rail
SLZA 30 - Supply No. 89300	programming station for RFID tokens
SLZA 31 - Supply No. 89310	stainless steel RFID token wall hung panel with RFID token credit value reader
SLZA 32 - Supply No. 89321	stainless steel RFID token wall hung panel with RFID token credit value reader
SLZA 32T - Supply No. 89320	stainless steel RFID token wall hung panel with RFID token credit value reader
SLZA 51 - Supply No. 88510	set of 50 pcs. of plastic RFID tokens for token machines, yellow color
SLZA 51B - Supply No. 88511	set of 50 pcs. of plastic RFID tokens for token machines, blue color
SLZA 51R - Supply No. 88512	set of 50 pcs. of plastic RFID tokens for token machines, red color
SLZA 54 - Supply No. 88540	protective cover above the recessed machines
SLZA 54A - Supply No. 88541	protective cover above the wall-mounted machines