

RFID door lock system SLZA 30A, SLZA 30AZ



SLZA 30AZ

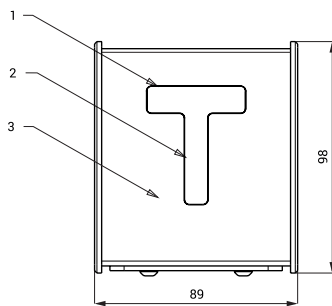


SLZA 30A

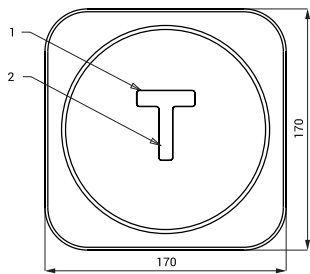
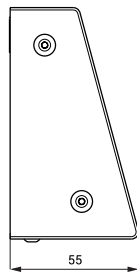
Characteristics

- stainless steel RFID door lock system (12 V)
- for door opening with token
- model with index A - on the wall
- model with index AZ - recessed
- material AISI - 304
- brushed finish

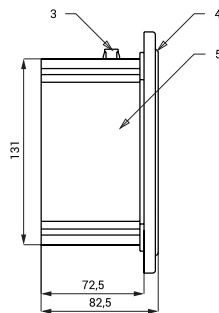
Dimensions



SLZA 30A



SLZA 30AZ



- 1 - display
2 - RFID active range
3 - stainless steel case with plastic sideboards

- 1 - display
2 - RFID active range
3 - power supply 24 V DC
4 - stainless steel cover with electronics
5 - plastic mounting box

Technical Specification

Stainless steel cover dimensions (SLZA 30AZ)

170 x 170 x 10 mm

Plastic mounting box dimensions (SLZA 30AZ)

140 x 140 x 75 mm

Dimensions (SLZA 30A)

96 x 74 x 51 mm

Operating voltage

24 V DC

Power input

7 W

Supply Specification

- SLZA 30A - Supply No. 89303 stainless steel station with display
SLZA 30AZ - Supply No. 89304 stainless steel cover with display, plastic mounting box

Recommended Accessories

- SLZ 01Y - Supply No. 05012 power supply 24 V DC for operating of max. 5 pcs. door lock systems
SLZ 01Z - Supply No. 05011 power supply 24 V DC for operating of max. 9 pcs. door lock systems
SLZ 04Y - Supply No. 05042 power supply 24 V DC for DIN rail, for operating of max. 5 pcs. door lock systems
SLZ 04Z - Supply No. 05041 power supply 24 V DC for DIN rail, for operating of max. 9 pcs. door lock systems
SLZ 04X - Supply No. 10049 power supply 24 V DC for DIN rail, for operating of max. 15 pcs. door lock systems
SLZA 30 - Supply No. 89300 programming station for RFID tokens
SLZA 51 - Supply No. 88510 set of 50 pcs. of plastic RFID tokens for token machines, yellow color
SLZA 51B - Supply No. 88511 set of 50 pcs. of plastic RFID tokens for token machines, blue color
SLZA 51R - Supply No. 88512 set of 50 pcs. of plastic RFID tokens for token machines, red color
SLZA 54 - Supply No. 88540 protective cover above the recessed machines
SLZA 54A - Supply No. 88541 protective cover above the wall-mounted machines