

# Vandal-proof Combination Units SLWN 28, SLWN 28Z



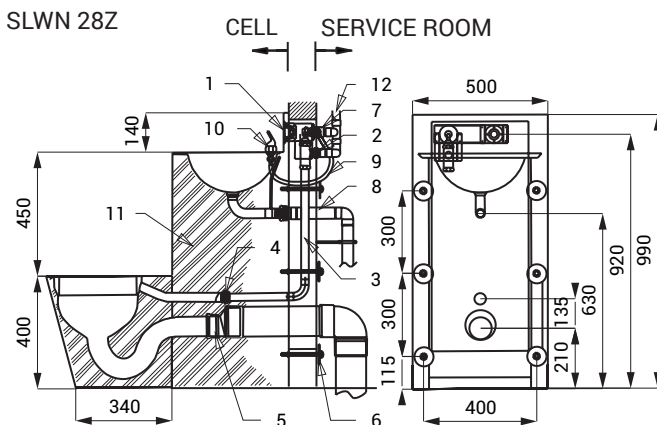
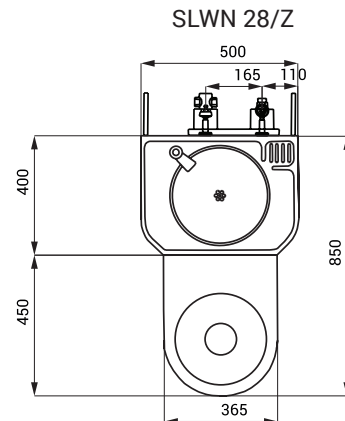
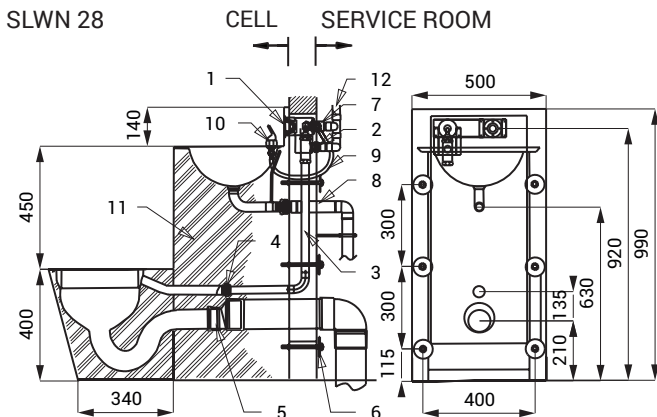
SLWN 28

## Characteristics



- **vandal-proof**
- **suitable for prison**
- combination unit with toilet, washbasin, washbasin spout and a toilet paper hole
- push button for washbasin spout
- push button for flushing toilet
- SLWN 28 - floor standing toilet
- SLWN 28Z - hanging toilet
- filled with expanded polyurethane (to avoid dents and typical metal noise)
- rear assembling by screws (M10, length 190 mm) from the service room
- material AISI - 304
- brushed finish

## Dimensions



- 1 - push buttons for toilet flushing and washbasin spout
- 2 - toilet flushing valve - male thread G 3/4"
- 3 - connecting pipe between toilet push button valve to the toilet (is not included)
- 4 - connection to the toilet (is not included)
- 5 - waste outlet connection (Ø 100 mm) from toilet (is not included)
- 6 - threaded rod (length 190 mm) + anchor + nut (6 pcs.)
- 7 - washbasin valve - male thread G 1/2"; female thread G 1/2"
- 8 - waste outlet pipe from the washbasin (is not included)
- 9 - connecting hose between push button and washbasin spout (is not included)
- 10 - washbasin spout
- 11 - filled with expanded polyurethane
- 12 - water inlet (is not included)

## Supply Specification

- SLWN 28 - Supply No. 94282 stainless steel combination unit with toilet and washbasin, push button (2 pcs.),  
SLWN 28Z - Supply No. 94284 washbasin spout, screws M10 (6 pcs.)

## Recommended Accessories

- SLA 25 - Supply No. 06250 set for connection between push button valve and toilet and between push button valve and washbasin spout