

# Stainless Steel Toilet with a Tank SLWN 15



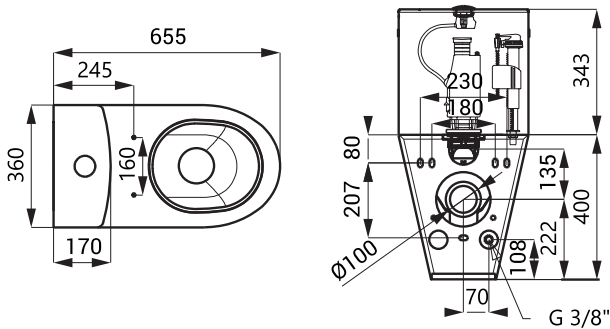
SLWN 15

## Characteristics



- **vandal-proof**
- **suitable for prison**
- stainless steel floor standing toilet with a tank, fixed to the wall and floor
- cover seat hole plugs included
- filled with expanded polyurethane (to avoid dents and typical metal noise)
- manual flushing 4/6 l
- rear assembling through the service hatch
- material AISI - 304
- brushed finish

## Dimensions



## Supply Specification

SLWN 15 - Supply No. 94150 stainless steel toilet with a tank

## Recommended Accessories

SLZN 31C - Supply No. 95313 black cover seat, special hardened plastic, stainless steel pants