

Stainless Steel Toilet SLWN 14



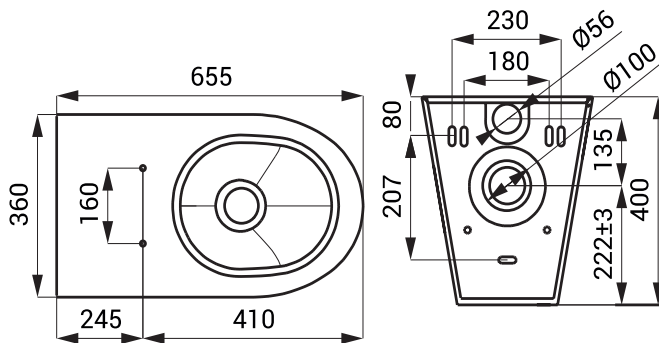
SLWN 14

Characteristics



- vandal-proof
- suitable for prison
- stainless steel floor standing toilet, fixed to the wall and floor
- cover seat hole plugs included
- waste into the wall or into the floor
- filled with expanded polyurethane (to avoid dents and typical metal noise)
- rear assembling through the service hatch
- material AISI - 304
- brushed finish

Dimensions



Supply Specification

SLWN 14 - Supply No. 94140 stainless steel toilet

Recommended Accessories

SLZN 31C - Supply No. 95313 black cover seat, special hardened plastic, stainless steel pants