

Piezo Toilet Flushing Unit SLW 10PA



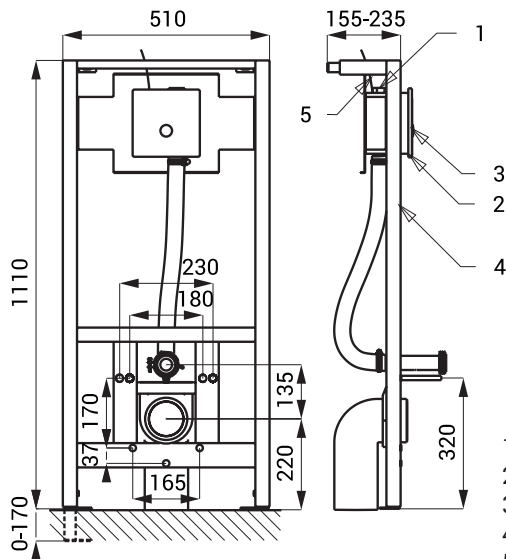
SLW 10PA



Characteristics

- vandal-proof
- suitable for a prison
- including pre-installed mounting frame SLR 03
- is destined for the brick wall
- five-point system for fixing of stainless steel toilets
- metal frame construction with surface finishing - blue powder coated
- mounting screws M10, waste pipe holder with connecting set Ø 50 mm and waste pipe holder with the elbow pipe Ø 110 mm
- special vandal-proof stainless steel cover, thickness 3 mm, safety screws
- toilet flushing unit for a pressure water from water distribution, isn't possible to use it for toilet with tank
- water flows after soft push of the piezo button
- adjustable flushing time 0,5 - 15,5 s, standard 8 s
- automatic hygiene flush after each eighth flush or 24 hours non using of toilet
- parameters adjustment by remote control SLD 04

Installation Drawing



- 1 - water inlet
- 2 - stainless steel cover with electronics
- 3 - piezo button
- 4 - mounting frame SLR 03
- 5 - power supply 24 V DC (SLW 10PA)

Technical Specification

Stainless steel cover dimension	160 x 170 x 3 mm
Mounting box dimension	150 x 150 x 100 mm
Mounting frame dimensions	1120 - 1290 x 510 x 155 - 235 mm
Operating voltage	24 V DC
Power input	7 W
Recommended flow pressure	0,15 - 0,6 MPa
Rate of flow	60 l/min. (inf. data)
Water inlet	male thread G 1"
Water outlet	inlet fitting with a rubber sealing

Supply Specification

SLW 10PA - Supply No. 04105 stainless steel cover with piezo electronics, stainless steel mounting box with brass screw coupling and electromagnetic valve, inlet fitting with a rubber sealing, TORX screws (4 pcs.), mounting frame SLR 03

Recommended Accessories

SLZ 01Y - Supply No. 05012	power supply 24 V DC for operating of max. 5 pcs. of flushing units
SLZ 01Z - Supply No. 05011	power supply 24 V DC for operating of max. 9 pcs. of flushing units
SLZ 04Y - Supply No. 05042	power supply 24 V DC on DIN rail, for operating of max. 5 pcs. of flushing units
SLZ 04Z - Supply No. 05041	power supply 24 V DCon DIN rail, for operating of max. 9 pcs. of flushing units
SLZ 04X - Supply No. 10049	power supply 24 V DC on DIN rail, for operating of max. 15 pcs. of flushing units
SLD 04 - Supply No. 07040	remote control for an adjustment of parameters