

Automatic Toilet Flushing Unit SLW 10NK



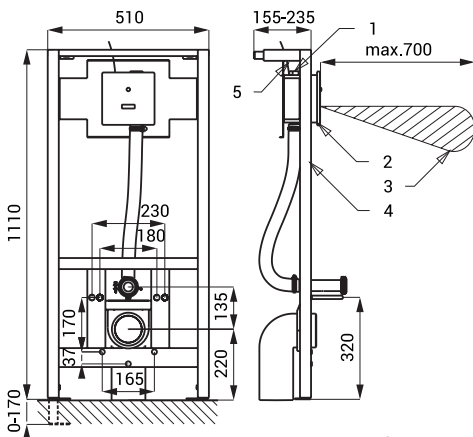
SLW 10NK



Characteristics

- including pre-installed mounting frame SLR 03
- is destined for the brick wall
- five-point system for fixing of stainless steel toilets
- metal frame construction with surface finishing - blue powder coated
- mounting screws M10, waste pipe holder with connecting set Ø 50 mm and waste pipe holder with the elbow pipe Ø 110 mm
- toilet flushing unit for a pressure water from water distribution, isn't possible to use it for toilet with tank
- system reacts to the user attendance in active range of the sensor at a maximum distance of 0,7 m, minimum stay time in active range is 7,5 s
- water flows after the user leaves active range
- adjustable flushing time from 0,5 to 15,5 s
- possibility of additional manual flush by push-button (f.e. during the cleaning)
- automatic hygiene flush after each 8 use of toilet and after 24 hours non-use
- monitoring of battery capacity (for models with index B)
- parameters adjustment by remote control SLD 03

Installation Drawing



- 1 - water inlet
- 2 - stainless steel cover with electronics
- 3 - active range
- 4 - mounting frame SLR 03
- 5 - power supply 24 V DC (SLW 10NK)

Technical Specification

Stainless steel cover dimension	170 x 170 x 10 mm
Mounting box dimension	150 x 150 x 100 mm
Mounting frame dimensions	1120 - 1290 x 510 x 155 - 235 mm
Operating voltage	
▪ SLW 10NK	24 V DC
▪ SLW 10NKB	6 V
Power input	
▪ operating by 24 V DC	7 W
▪ operating by 6 V	3 W
Active range	0,6 - 0,75 m
Recommended flow pressure	0,1 - 0,8 MPa
Rate of flow	60 l/min. (inf. data)
Water inlet	male thread G 1"
Water outlet	inlet fitting with a rubber sealing

Supply Specification

SLW 10NK - Supply No. 04101
SLW 10NKB - Supply No. 04102

stainless steel cover with electronics, stainless steel mounting box with brass screw coupling and electromagnetic valve, inlet fitting with a rubber sealing, 4 pcs. AA alkaline batteries 1,5 V 2700 mAh (SLW 10NKB), mounting frame SLR 03

Recommended Accessories

SLZ 01Y - Supply No. 05012	power supply 24 V DC for operating of max. 5 pcs. of flushing units
SLZ 01Z - Supply No. 05011	power supply 24 V DC for operating of max. 9 pcs. of flushing units
SLZ 04Y - Supply No. 05042	power supply 24 V DC on DIN rail, for operating of max. 5 pcs. of flushing units
SLZ 04Z - Supply No. 05041	power supply 24 V DC on DIN rail, for operating of max. 9 pcs. of flushing units
SLZ 04X - Supply No. 10049	power supply 24 V DC on DIN rail, for operating of max. 15 pcs. of flushing units
SLD 03 - Supply No. 07030	remote control for an adjustment of parameters
SLA 36 - Supply No. 06360	set of 4 pcs. alkaline batteries AA 1,5 V, 2700 mAh (for models with index B)