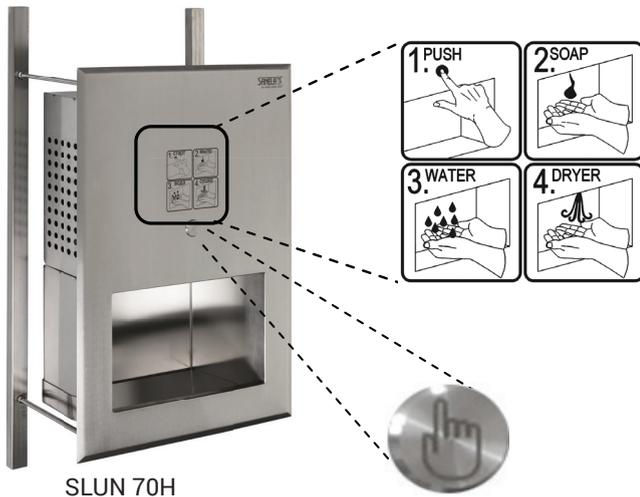


Stainless Steel Piezo Multiple Washbasin SLUN 70H



SLUN 70H

Characteristics

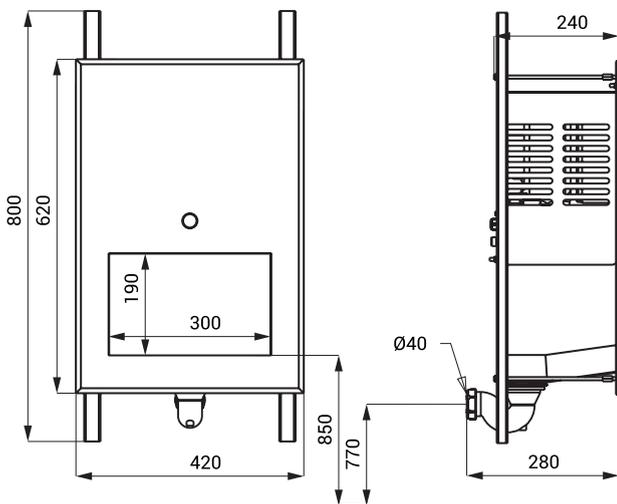


- hygienic flush
- vandal-proof
- suitable for prison
- stainless steel recessed multiple washbasin with integrated piezo electronics for soap dispenser, water outlet and hand dryer in one
- rear assembling by screws (M10, length 190 mm) from the service room
- water flows after soft push of the piezo button
- liquid soap refilling from the service room
- parameter adjustment using by the remote control SLD 07
- material AISI - 304
- brushed finish

Function system:



Dimensions



Technical Specification

| | |
|---------------------------|----------------------|
| Operating voltage | 230 V AC/50 Hz |
| Recommended flow pressure | 0,1 - 0,6 MPa |
| Water flow | 6 l/min. (inf. data) |
| Water inlet | male thread G 1/2" |
| Volume | < 65 dB |

Supply Specification

SLUN 70H - Supply No. 73701

stainless steel multiple washbasin with piezo electronics, integrated soap dispenser, water outlet and hand dryer, siphon, mounting set, flexible cable with plug for wall socket 230 V/50 Hz

Recommended Accessories

SLD 07 - Supply No. 07070 remote control for an adjustment of parameters