

Stainless Steel Washbasins SLUN 34, SLUN 44, SLUN 44X, SLUN 45, SLUN 45X

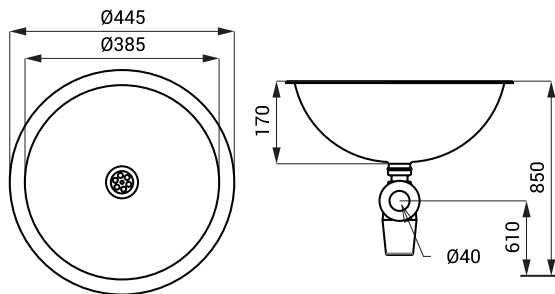


SLUN 34

Characteristics

- stainless steel recessed round washbasin for surface mounting
- assembly by glueing
- without a tap hole
- overflow set
- material AISI - 304
- brushed finish

Dimensions



Supply Specification

SLUN 34 - Supply No. 93340 stainless steel washbasin, siphon, overflow set

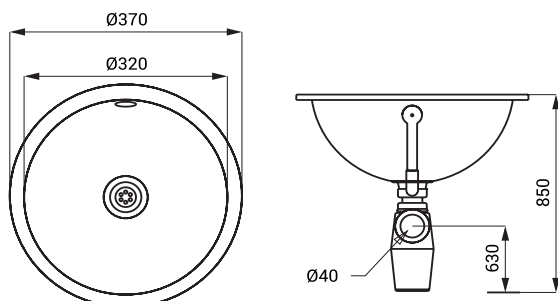


SLUN 44

Characteristics

- stainless steel recessed round washbasin for surface mounting
- without a tap hole
- overflow set
- material AISI - 304
- polished finish (SLUN 44)
- brushed finish (SLUN 44X)

Dimensions



Supply Specification

SLUN 44 - Supply No. 93440 stainless steel washbasin, siphon, overflow set with chain and drain plug
SLUN 44X - Supply No. 93448

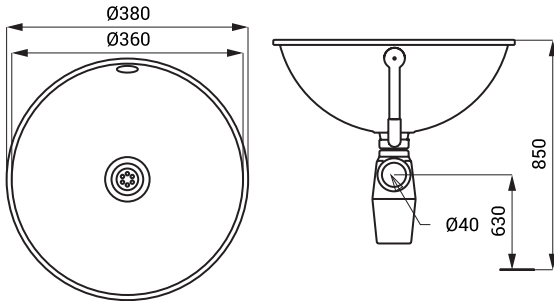


SLUN 45

Characteristics

- stainless steel recessed round washbasin for surface mounting
- without a tap hole
- overflow set
- material AISI - 304
- polished finish (SLUN 45)
- brushed finish (SLUN 45X)

Dimensions



Supply Specification

SLUN 45 - Supply No. 93450 stainless steel washbasin, siphon, overflow set
SLUN 45X - Supply No. 93458