

Stainless Steel Drinking Fountains SLUN 43, SLUN 43S



SLUN 43

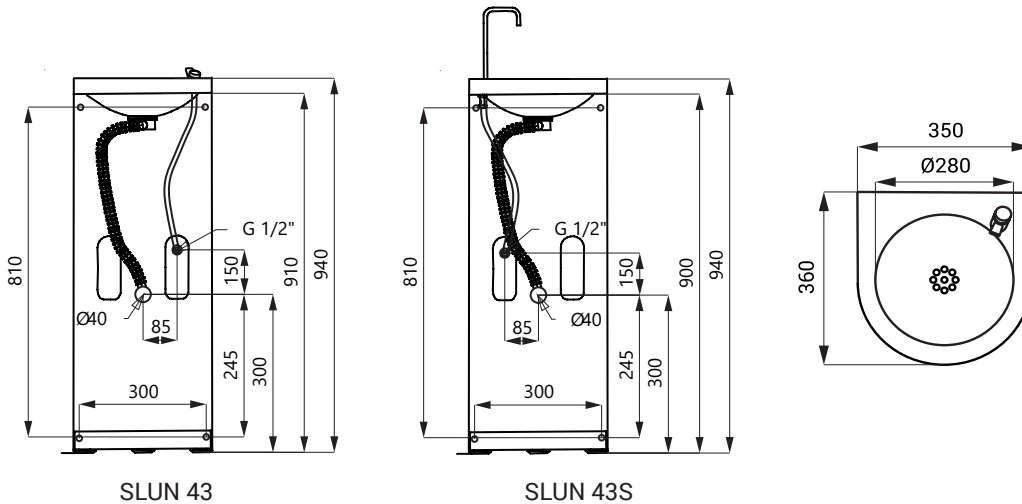


SLUN 43S

Characteristic

- stainless steel floor standing drinking fountain with self closing drinking spout (SLUN 43)
- stainless steel floor standing drinking fountain with self closing drinking spout and bottle filler (SLUN 43S)
- mounting to the wall
- water flow regulation on drinking spout and bottle filler
- filled with expanded polyurethane (to avoid dents and typical metal noise)
- material AISI - 304
- inner bowl high polished finish, apron brushed finish

Dimensions



Supply Specification

SLUN 43 - Supply No. 93430 stainless steel drinking fountain, self closing drinking spout, bottle filler (SLUN 43S),
SLUN 43S - Supply No. 83435 siphon, mounting set