

Stainless Steel Washbasins SLUN 01, SLUN 02, SLUN 36A

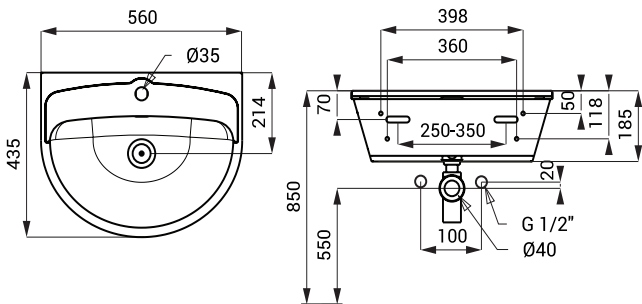


SLUN 01

Characteristics

- stainless steel wall hung washbasin
- with a tap hole
- overflow set
- material AISI - 304
- brushed finish

Dimensions



Supply Specification

SLUN 01 - Supply No. 93010 stainless steel washbasin, overflow set, siphon, mounting set

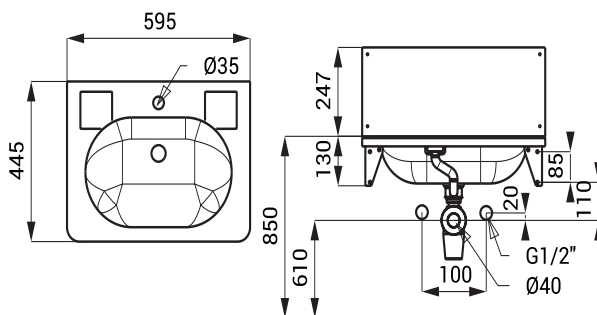


SLUN 02

Characteristics

- stainless steel wall hung washbasin with a splash-back
- with a tap hole
- overflow set
- material AISI - 304
- brushed finish

Dimensions



Supply Specification

SLUN 02 - Supply No. 93020 stainless steel washbasin, console (2 pcs.), splash-back, overflow set, siphon, mounting set

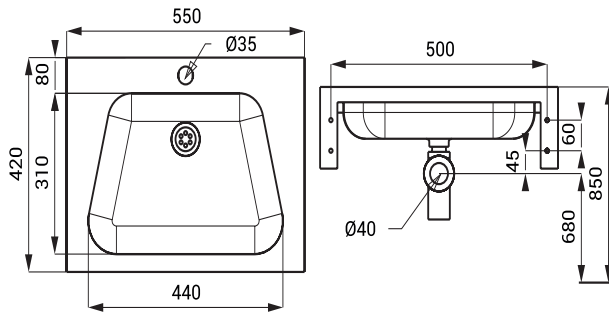


SLUN 36A

Characteristics

- stainless steel wall hung washbasin
- suitable for fixing of more washbasins beside each other in one line
- with a tap hole
- overflow set
- material AISI - 304
- brushed finish

Dimensions



Supply Specification

SLUN 36A - Supply No. 73362 stainless steel washbasin, overflow set, siphon, mounting set with a chain and drain plug