

Automatic Wall-mounted Mixer SLU 42K

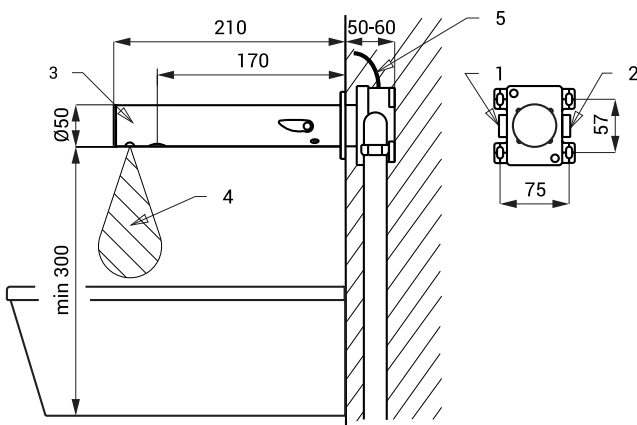


Characteristics



- economical aerator, rate of flow 6 l/min
- hygienic flush
- are destined for cold and hot water, temperature is regulated by mixer
- water is flowing as long as hands are in the active range
- water stops flowing after removal of hands from the active range of sensor after adjustable time delay (can be set in range 0,25 – 7,75 s)
- function of automatic water stop after 5 minut of continuous flow
- monitoring of battery capacity (for models with index B)
- START/STOP program
- parameter adjustment using by the remote control SLD 03

Installation Drawing



- 1 - inlet of hot water
2 - inlet of cold water
3 - faucet with electronics
4 - active range
5 - feed cable from the power supply

Technical Specification

| | |
|---|---------------------------------------|
| Dimension of the mounting box | 90 x 80 x 40 mm |
| Operating voltage | |
| ▪ SLU 42K | 24 V DC |
| ▪ SLU 42KB | 6 V |
| Power input | |
| ▪ operating by 24 V DC | 3 W |
| ▪ operating by 6 V | 2 W |
| Battery life | |
| ▪ 4 pcs. AA alkaline batteries AA, 1,5 V, 2700 mAh | approx. 2 years (100 uses per day) |
| Active range | |
| ▪ standard | 0,11 - 0,15 m |
| ▪ START/STOP program | 0,05 - 0,15 m |
| Recommended flow pressure | 0,1 - 0,6 MPa |
| Rate of flow | 6 l/min. (inf. data) |
| Water inlet | male thread G 1/2" |

Supply Specification

| | |
|-----------------------------|---|
| SLU 42K - Supply No. 03420 | faucet with mixer, electronics and electromagnetic valve, plastic mounting box, |
| SLU 42KB - Supply No. 03425 | 4 pcs. AA alkaline batteries 1,5 V, 2700 mAh (SLU 42KB) |

Recommended Accessories

| | |
|----------------------------|--|
| SLZ 01Y - Supply No. 05012 | power supply 24 V DC for operating of max. 10 pcs. of washbasin taps |
| SLZ 01Z - Supply No. 05011 | power supply 24 V DC for operating of max. 20 pcs. of washbasin taps |
| SLZ 04Y - Supply No. 05042 | power supply 24 V DC for DIN rail, for operating of max. 10 pcs. of washbasin taps |
| SLZ 04Z - Supply No. 05041 | power supply 24 V DC for DIN rail, for operating of max. 20 pcs. of washbasin taps |
| SLZ 04X - Supply No. 10049 | power supply 24 V DC for DIN rail, for operating of max. 30 pcs. of washbasin taps |
| SLD 03 - Supply No. 07030 | remote control for an adjustment of parameters |
| SLA 36 - Supply No. 06360 | set of 4 pcs. alkaline batteries AA, 1,5 V, 2700 mAh (for models with index B) |
| SLA 56A - Supply No. 06560 | economical aerator 3,8 l/min |
| SLA 56B - Supply No. 06561 | economical aerator 1,9 l/min |