

Automatic Washbasin Tap SLU 29

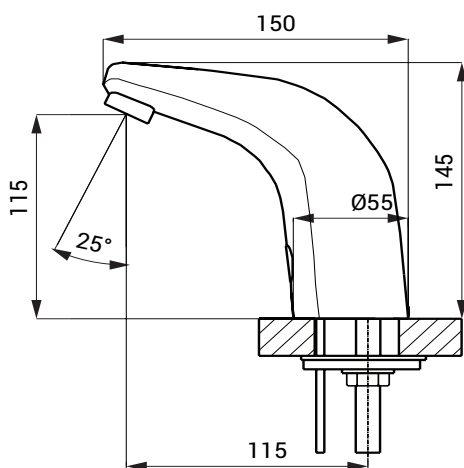


Characteristic



- economical aerator, rate of flow 6 l/min
- hygienic flush
- is destined for cold and hot water, temperature is regulated by angle valves
- water is flowing as long as hands are in the active range
- water stops flowing after removal of hands from the active range of sensor after adjustable time delay (can be set in range 0,25 – 7,75 s)
- function of automatic water stop after 5 minut of continuous flow
- monitoring of battery capacity (for models with index B)
- START/STOP program
- parameter adjustment using by the remote control SLD 03

Dimensions



Technical Specification

Operating voltage

- SLU 29 24 V DC
- SLU 29B 6 V

Power input

- operating by 24 V DC 7 W
- operating by 6 V 3 W

Battery life

- 4 pcs. AA alkaline batteries approx. 2 years (100 uses per day)

Active range

- standard 0,13 - 0,19 m
- START/STOP program 0,05 - 0,15 m

Recommended flow pressure

0,1 - 0,6 MPa

Rate of flow

6 l/min.

Water inlet

male thread G 1/2"

Supply Specification

- SLU 29 - Supply No. 03290 faucet with electronics, electromagnetic valve (1 pcs.), Y-piece, connecting hoses,
SLU 29B - Supply No. 03295 angle valve with filter and check valve (2 pcs.), 4 pcs. AA alkaline batteries
1,5 V, 2700 mAh with battery case (SLU 29B)

Recommended Accessories

- SLZ 01Y - Supply No. 05012 power supply 24 V DC for operating of max. 5 pcs. of washbasin taps
SLZ 01Z - Supply No. 05011 power supply 24 V DC for operating of max. 9 pcs. of washbasin taps
SLZ 04Y - Supply No. 05042 power supply 24 V DC for DIN rail, for operating of max. 5 pcs. of washbasin taps
SLZ 04Z - Supply No. 05041 power supply 24 V DC for DIN rail, for operating of max. 9 pcs. of washbasin taps
SLZ 04X - Supply No. 10049 power supply 24 V DC for DIN rail, for operating of max. 15 pcs. of washbasin taps
SLZ 06 - Supply No. 05060 power supply 24 V DC pro max. 1 pc. of washbasin tap
SLD 03 - Supply No. 07030 remote control for an adjustment of parameters
SLA 36 - Supply No. 06360 set of 4 pcs. alkaline batteries AA, 1,5 V, 2700 mAh (for models with index B)