

Automatic Wall-mounted Thermostatic Washbasin Tap SLU 25S

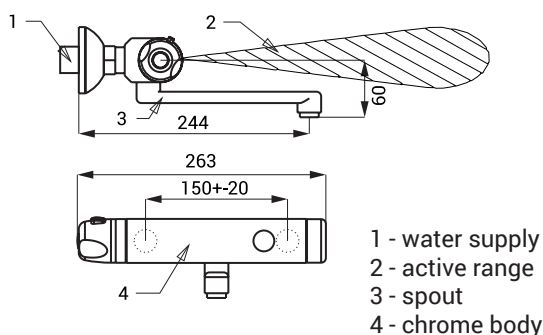


Characteristics



- economical aerator, rate of flow 6 l/min
- hygienic flush
- suitable for medical facilities
- swivel faucet
- is destined for cold and hot water, temperature is regulated by thermostatic mixer
- safety fuse against scalding
- stop flowing of hot water till 1 s in case of cold water failure
- pressure of hot and cold water must be same
- water is flowing as long as person is in the active range
- water stops flowing after removal of person from the active range of sensor after adjustable time delay (can be set in range 0,25 – 7,75 s)
- function of automatic water stop after 5 minut of continuous flow
- monitoring of battery capacity (for models with index B)
- START/STOP program
- parameter adjustment using by the remote control SLD 03

Installation Drawing



Technical Specification

SLU 25S, SLU 25SB	water inlet spacing 150 mm
Operating voltage	
▪ SLU 25S	24 V DC
▪ SLU 25SB	9 V
Power input	
▪ operating by 24 V DC	3 W
▪ operating by 9 V	2 W
Battery life	
▪ lithium 9V, type U9VL	approx. 2 years (100 uses per day)
Active range	
▪ standard	0,6 - 0,75 m
▪ START/STOP program	0,05 - 0,15 m
Recommended flow pressure	0,1 - 0,6 MPa
Rate of flow	6 l/min. (inf. data)
Water inlet	male thread G 1/2"

Specifikace dodávky

SLU 25S	- Supply No. 33258	faucet with a spout, electronics, thermostat and electromagnetic valve, rosette (2 pcs.),
SLU 25SB	- Supply No. 33259	chrome cover (2 pcs.), filter (2 pcs.), Allen key, lithium battery SLA 09 (for models with index B)

Recommended Accessories

SLZ 01Y	- Supply No. 05012	power supply 24 V DC for operating of max. 10 pcs. of washbasin taps
SLZ 01Z	- Supply No. 05011	power supply 24 V DC for operating of max. 20 pcs. of washbasin taps
SLZ 04Y	- Supply No. 05042	power supply 24 V DC for DIN rail, for operating of max. 10 pcs. of washbasin taps
SLZ 04Z	- Supply No. 05041	power supply 24 V DC for DIN rail, for operating of max. 20 pcs. of washbasin taps
SLZ 04X	- Supply No. 10049	power supply 24 V DC for DIN rail, for operating of max. 33 pcs. of washbasin taps
SLD 03	- Supply No. 07030	remote control for an adjustment of parameters
SLA 09	- Supply No. 06090	lithium battery 9V/1200 mAh, type U9VL (for models with index B)
SLA 55A	- Supply No. 06550	economical aerator 3,8 l/min
SLA 55B	- Supply No. 06551	economical aerator 1,9 l/min