

Piezo Wall-mounted Stainless Steel Washbasin Tap with Thermostatic Valve SLU 09PTB

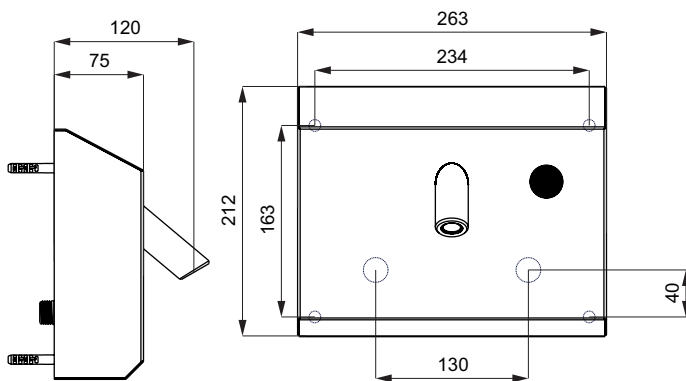


Characteristics



- economical aerator, rate of flow 6 l/min
- hygienic flush
- vandal-proof
- suitable for a prison
- special anti-suicide spout
- special vandal-proof stainless steel cover
- is destined for cold and hot water, temperature is regulated by thermostatic valve
- water flows after soft push of the piezo button
- water stops flowing after adjustable flowing time (can be set in 2 - 62 s), standard 10 s
- water could be stopped by follow-up soft push of piezo button
- monitoring of battery capacity (for models with index B)
- parameter adjustment using by the remote control SLD 04

Dimensions



Technical Specification

Operating voltage	6 V
Power input	3 W
Battery life	
▪ 4 pcs. AA alkaline batteries	approx. 2 years (100 uses per day)
AA, 1,5 V, 2700 mAh	0,1 - 0,6 MPa
Recommended flow pressure	6 l/min. (inf. data)
Rate of flow	male thread G 1/2"
Water inlet	

Supply Specification

SLU 09PTB - Supply No. 13091 stainless steel cover with spout, electronics, electromagnetic valve (1 pc.) and thermostatic valve, angle valve with filter and check valve (2 pcs.), safety screws (2 pcs.), 4 pcs. AA alkaline batteries 1,5 V, 2700 mAh

Recommended Accessories

SLD 04	- Supply No. 07040	remote control for an adjustment of parameters
SLA 36	- Supply No. 06360	set of 4 pcs. alkaline batteries AA, 1,5 V, 2700 mAh
SLA 56A	- Supply No. 06560	economical aerator 3,8 l/min
SLA 56B	- Supply No. 06561	economical aerator 1,9 l/min