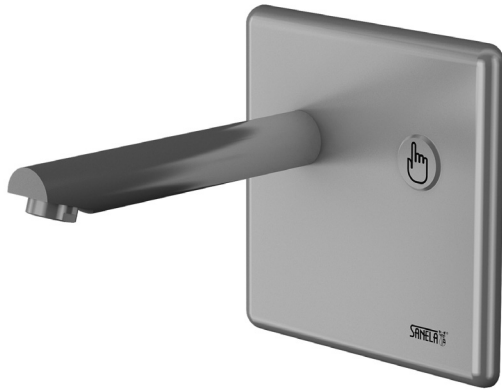


Piezo Wall-mounted Washbasin Taps SLU 04P17, SLU 04P25

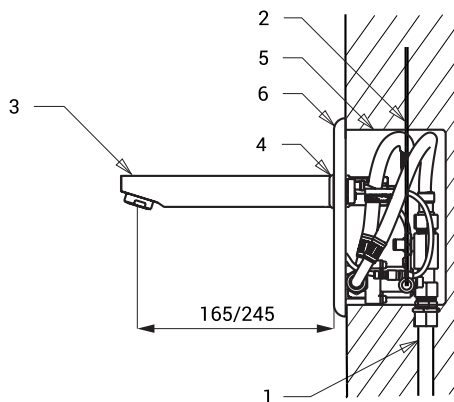


Characteristics



- economical aerator, rate of flow 6 l/min
- hygienic flush
- vandal-proof
- suitable for medical facilities
- are destined for cold or premixed water
- water flows after soft push of the piezo button
- water stops flowing after adjustable flowing time (can be set in 2 - 62 s), standard 10 s
- water could be stopped by follow-up soft push of piezo button
- monitoring of battery capacity (for models with index B)
- parameter adjustment using by the remote control SLD 04
- water flow can be regulated by ball valve

Installation Drawing



- 1 - water supply
- 2 - feed cable from the power supply (SLU 04P17, SLU 04P25)
- 3 - spout
- 4 - piezo button
- 5 - mounting box
- 6 - stainless steel cover with electronics

Technical Specification

Stainless steel cover dimension	170 x 170 x 10 mm
Stainless steel mounting box dimension	155 x 155 x 82 mm
Length of the spout	
▪ SLU 04P17	170 mm
▪ SLU 04P25	250 mm
Operating voltage	
▪ SLU 04P17, SLU 04P25	24 V DC
▪ SLU 04P17B, SLU 04P25B	6 V
Power input	
▪ operating by 24 V DC	7 W
▪ operating by 9 V	3 W
Battery life	
▪ 4 pcs. AA alkaline batteries AA, 1,5 V, 2700 mAh	approx. 2 years (100 uses per day)
Recommended flow pressure	0,1 - 0,6 MPa
Rate of flow	6 l/min. (inf. data)
Water inlet	male thread G 3/4"

Supply Specification

SLU 04P17 - Supply No. 53041	spout, stainless steel cover with piezo electronics, stainless steel mounting box
SLU 04P17B - Supply No. 53043	with screw coupling, electromagnetic valve and ball valve, 4 pcs. AA alkaline batteries
SLU 04P25 - Supply No. 53042	1,5 V, 2700 mAh (for models with index B)
SLU 04P25B - Supply No. 53044	

Recommended Accessories

SLZ 01Y - Supply No. 05012	power supply 24 V DC for operating of max. 5 pcs. of washbasin taps
SLZ 01Z - Supply No. 05011	power supply 24 V DC for operating of max. 9 pcs. of washbasin taps
SLZ 04Y - Supply No. 05042	power supply 24 V DC for DIN rail, for operating of max. 5 pcs. of washbasin taps
SLZ 04Z - Supply No. 05041	power supply 24 V DC for DIN rail, for operating of max. 9 pcs. of washbasin taps
SLZ 04X - Supply No. 10049	power supply 24 V DC for DIN rail, for operating of max. 15 pcs. of washbasin taps
SLD 04 - Supply No. 07040	remote control for an adjustment of parameters
SLT 04 - Supply No. 09040	thermostatic valve 3/4", rate of flow 28 l/min by the pressure 0,1 MPa
SLT 05 - Supply No. 09050	thermostatic valve 1/2", rate of flow 42 l/min by the pressure 0,1 MPa
SLA 36 - Supply No. 06360	set of 4 pcs. alkaline batteries AA, 1,5 V, 2700 mAh (for models with index B)
SLA 55A - Supply No. 06550	economical aerator 3,8 l/min
SLA 55B - Supply No. 06551	economical aerator 1,9 l/min