

Stainless Steel Shower Trays SLSN 06, SLSN 07, SLSN 08, SLSN 10

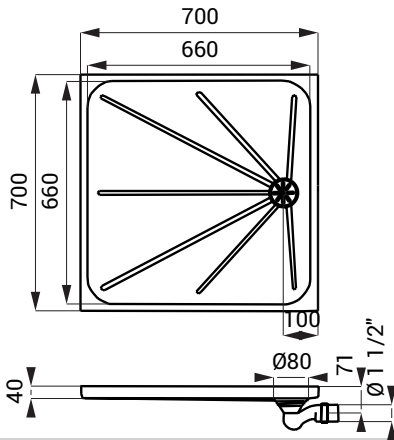


SLSN 06

Characteristics

- stainless steel shower tray 700 x 700 mm
- for recessed or surface mounting
- floor with non-skid surface
- material AISI - 304
- brushed finish

Dimensions



Supply Specification

SLSN 06 - Supply No. 92060 stainless steel shower tray, siphon

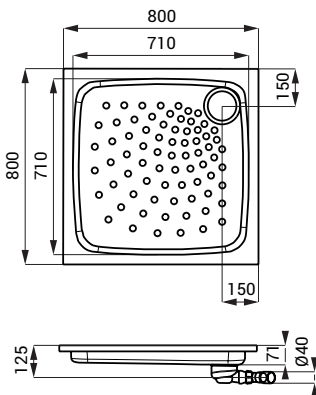


SLSN 07

Characteristics

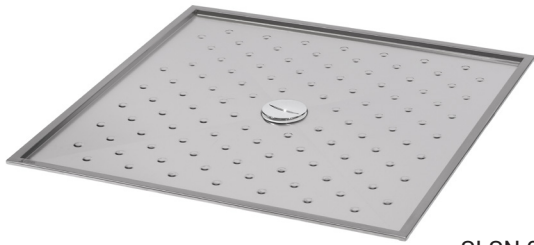
- stainless steel shower tray 800 x 800 mm
- for recessed or surface mounting
- floor with non-skid surface
- material AISI - 304
- brushed finish

Dimensions



Supply Specification

SLSN 07 - Supply No. 92070 stainless steel shower tray, siphon

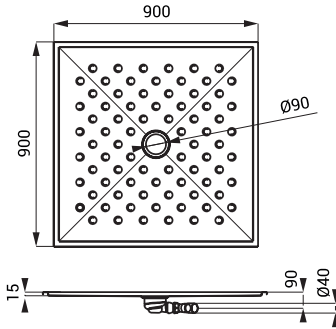


SLSN 08

Characteristics

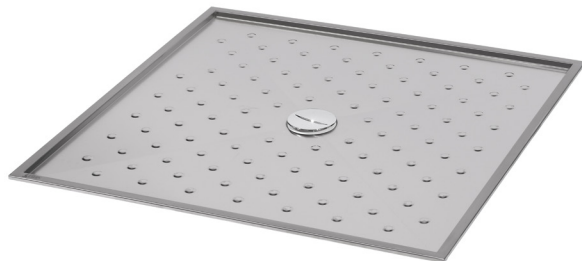
- stainless steel shower tray 900 x 900 mm
- for recessed or surface mounting
- floor with non-skid surface
- material AISI - 304
- brushed finish

Dimensions



Supply Specification

SLSN 08 - Supply No. 92080 stainless steel shower tray, siphon

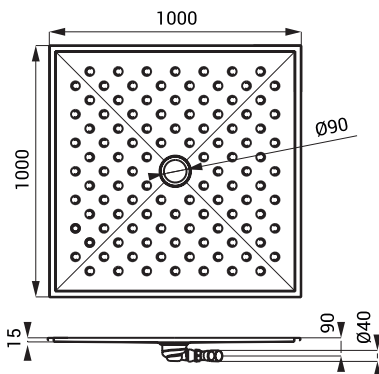


SLSN 10

Characteristics

- stainless steel shower tray 1000 x 1000 mm
- for recessed or surface mounting
- floor with non-skid surface
- material AISI - 304
- brushed finish

Dimensions



Supply Specification

SLSN 10 - Supply No. 82100 stainless steel shower tray, siphon