

# Automatic Shower Control SLS 02, SLS 02T



SLS 02



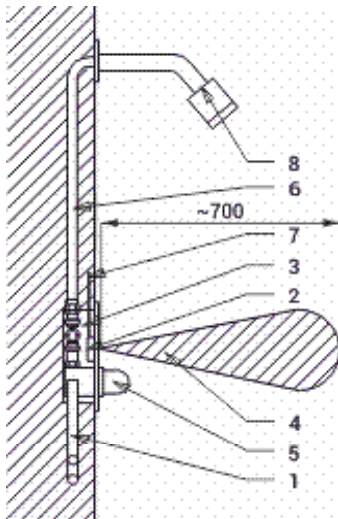
SLS 02T

## Characteristics

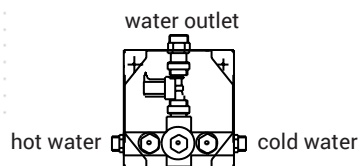


- **hygienic flush**
- SLS 02, SLS 02B are destined for cold and hot water, temperature is regulated by mixer
- SLS 02T, SLS 02TB are destined for cold and hot water, temperature is regulated by thermostatic mixer
- safety fuse against scalding
- water is flowing as long as an user is in the active range
- water stops flowing after the user leaves the active range sensor after adjustable time delay (can be set in range 0,25 - 7,75 s), standard 3 s
- function of automatic water stop after 5 minut of continuous flow
- monitoring of battery capacity (for models with index B)
- START/STOP program
- parameter adjustment using by the remote control SLD 03

## Installation Drawing



- 1 - water supply
- 2 - stainless steel cover with electronics
- 3 - mounting box
- 4 - active range
- 5 - mixer or thermostatic mixer
- 6 - water outlet
- 7 - power supply
- 8 - shower head (it is not included)



## Technical Specification

<b>Stainless steel cover dimension</b>	170 x 170 x 10 mm
<b>Mounting box dimension</b>	150 x 160 x 65 mm
<b>Operating voltage</b>	
▪ SLS 02, SLS 02T	24 V DC
▪ SLS 02B, SLS 02TB	6 V
<b>Power input</b>	
▪ by operating 24 V DC	7 W
▪ by operating 6 V	3 W
<b>Battery life</b>	
▪ 4 pcs. AA alkaline batteries	approx. 2 years
AA, 1,5 V, 2700 mAh	(100 uses per day)
<b>Active range</b>	
▪ standard	0,27 - 0,35 m
▪ START/STOP program	0,05 - 0,15 m
<b>Recommended flow pressure</b>	0,1 - 0,6 MPa
<b>Rate of flow</b>	12 l/min. (inf. data)
<b>Water inlet</b>	male thread G 3/4"
<b>Water outlet</b>	male thread G 3/4"

## Supply Specification

SLS 02	- Supply No. 02020	stainless steel cover with electronics, stainless steel mounting box with brass screw coupling, electromagnetic valve, ball valve and mixer, 4 pcs. AA alkaline batteries 1,5 V, 2700 mAh (SLS 02B)
SLS 02B	- Supply No. 02026	
SLS 02T	- Supply No. 02023	stainless steel cover with electronics, stainless steel mounting box with brass screw coupling, electromagnetic valve, ball valve and thermostatic mixer, 4 pcs. AA alkaline batteries 1,5 V, 2700 mAh (SLS 02TB)
SLS 02TB	- Supply No. 02027	

## Recommended Accessories

SLZ 01Y	-	Supply No. 05012	power supply 24 V DC for operating of max. 5 pcs. of showers
SLZ 01Z	-	Supply No. 05011	power supply 24 V DC for operating of max. 9 pcs. of showers
SLZ 04Y	-	Supply No. 05042	power supply 24 V DC for DIN rail, for operating of max. 5 pcs. of showers
SLZ 04Z	-	Supply No. 05041	power supply 24 V DC for DIN rail, for operating of max. 9 pcs. of showers
SLZ 04X	-	Supply No. 10049	power supply 24 V DC for DIN rail, for operating of max. 15 pcs. of showers
SLZ 06	-	Supply No. 05060	power supply 24 V DC for operating of max. 1 pc. of shower pcs. of showers
SLD 03	-	Supply No. 07030	remote control for an adjustment of parameters
SLA 03	-	Supply No. 06030	vandal-proof shower head with possibility to set an angle of water flow
SLA 13	-	Supply No. 06130	vandal-proof shower head with possibility to set an angle of water flow
SLA 14	-	Supply No. 06140	vandal-proof shower head
SLA 28	-	Supply No. 06280	shower head
SLA 39	-	Supply No. 06390	vandal-proof shower head
SLA 40	-	Supply No. 06400	vandal-proof shower head with possibility to set an angle of water flow
SLA 36	-	Supply No. 06360	set of 4 pcs. alkaline batteries AA, 1,5 V, 2700 mAh (for models with index B)