

Automatic Black Shower Control SLS 01AKV

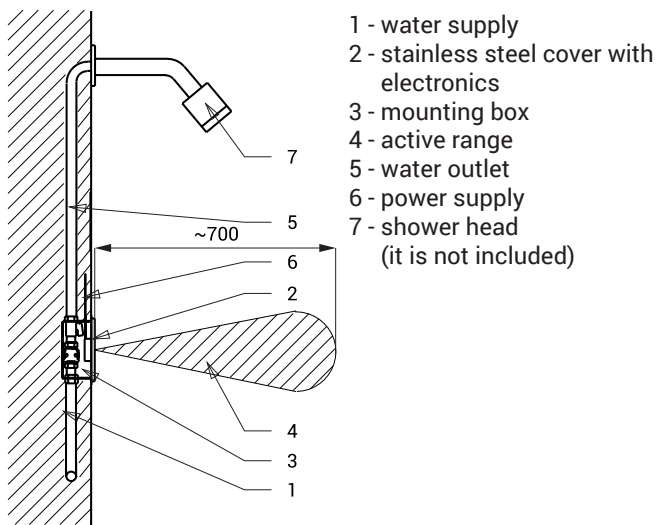


SLS 01AKV

Characteristics

- **hygienic flush**
- is destined for cold or premixed water
- water is flowing as long as an user is in the active range
- water stops flowing after the user leaves the active range sensor after adjustable time delay (can be set in range 0,25 - 7,75 s), standard 3 s
- function of automatic water stop after 5 minut of continuous flow
- monitoring of battery capacity (for models with index B)
- START/STOP program
- parameter adjustment using by the remote control SLD 03

Installation Drawing



Technical Specification

Stainless steel cover dimension	170 x 170 x 10 mm
Mounting box dimension	140 x 140 x 75 mm
Operating voltage	
▪ SLS 01AKV	24 V DC
▪ SLS 01AKVB	6 V
Power input	
▪ by operating 24 V DC	7 W
▪ by operating 6 V	3 W
Battery life	
▪ 4 pcs. AA alkaline batteries	approx. 2 years
AA, 1,5 V, 2700 mAh	(100 uses per day)
Active range	
▪ standard	0,27 - 0,35 m
▪ START/STOP program	0,05 - 0,15 m
Recommended flow pressure	0,1 - 0,6 MPa
Rate of flow	12 l/min. (inf. data)
Water inlet	male thread G 3/4"
Water outlet	male thread G 3/4"

Supply Specification

SLS 01AKV - Supply No. 02002	black stainless steel cover with electronics, plastic mounting box with brass screw,
SLS 01AKVB - Supply No. 12007	coupling, electromagnetic valve and ball valve, 4 pcs. AA alkaline batteries 1,5 V, 2700 mAh (SLS 01AKVB)

Recommended Accessories

SLZ 01Y - Supply No. 05012	power supply 24 V DC for operating of max. 5 pcs. of showers
SLZ 01Z - Supply No. 05011	power supply 24 V DC for operating of max. 9 pcs. of showers
SLZ 04Y - Supply No. 05042	power supply 24 V DC for DIN rail, for operating of max. 5 pcs. of showers
SLZ 04Z - Supply No. 05041	power supply 24 V DC for DIN rail, for operating of max. 9 pcs. of showers
SLZ 04X - Supply No. 10049	power supply 24 V DC for DIN rail, for operating of max. 15 pcs. of showers
SLZ 06 - Supply No. 05060	power supply 24 V DC for operating of max. 1 pc. of shower
SLD 03 - Supply No. 07030	remote control for an adjustment of parameters
SLT 04 - Supply No. 09040	thermostatic valve 3/4", rate of flow 28 l/min by the pressure 0,1 MPa
SLT 05 - Supply No. 09050	thermostatic valve 1/2", rate of flow 42 l/min by the pressure 0,1 MPa
SLT 07 - Supply No. 09070	thermostatic valve 3/4", rate of flow 43 l/min by the pressure 0,1 MPa
SLT 08 - Supply No. 09080	thermostatic valve 1", rate of flow 53 l/min by the pressure 0,1 MPa
SLT 09 - Supply No. 09090	thermostatic valve 5/4", rate of flow 82 l/min by the pressure 0,1 MPa
SLT 10 - Supply No. 09100	thermostatic valve 6/4", rate of flow 155 l/min by the pressure 0,1 MPa
SLA 03 - Supply No. 06030	vandal-proof shower head with possibility to set an angle of water flow
SLA 13 - Supply No. 06130	vandal-proof shower head with possibility to set an angle of water flow
SLA 14 - Supply No. 06140	vandal-proof shower head
SLA 28 - Supply No. 06280	shower head
SLA 39 - Supply No. 06390	vandal-proof shower head
SLA 40 - Supply No. 06400	vandal-proof shower head with possibility to set an angle of water flow
SLA 36 - Supply No. 06360	set of 4 pcs. alkaline batteries AA, 1,5 V, 2700 mAh (for models with index B)