



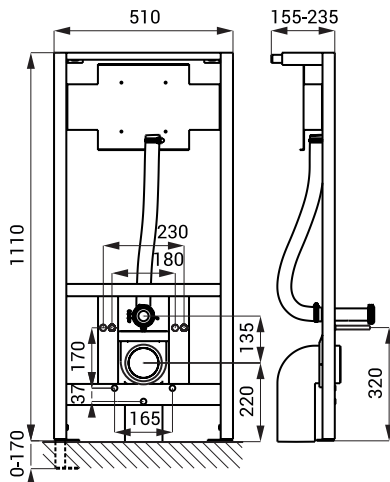
SLR 03

### Characteristics

#### SLR 03

- is destined for the brick wall
- is destined for mounting of wall hung toilet and infra-red flushing units, which is placed above the toilet (SLW 01NK, SLW 01P, SLW 01PA, SLW 03PA, SLP 05)
- five-point system for fixing of stainless steel toilets
- possibility to use it at fixed distance 180 or 230 mm
- metal frame construction with surface finishing - blue powder coated
- adjustable height 1120 - 1290 mm
- adjustable depth 155 - 235 mm
- mounting screws M10, waste pipe holder with connecting set Ø 50 mm and waste pipe holder with the elbow pipe Ø 110 mm

### Dimensions



### Supply Specification

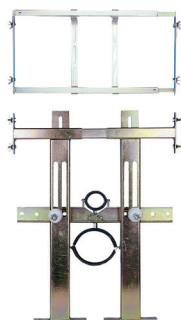
SLR 03 - Supply No. 08030 mounting frame for wall hung toilets and infra-red flushing units, which is placed above the toilet

## Characteristics

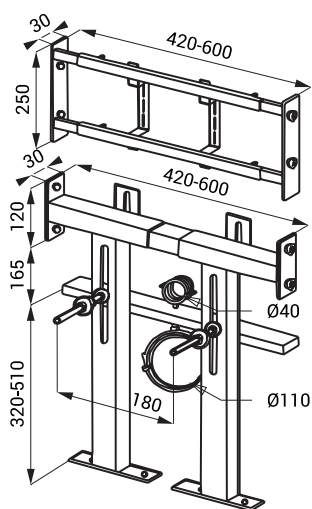
### SLR 03N

- is destined for plasterboard constructions
- is destined for mounting of wall hung toilet and infra-red flushing units, which is placed above the toilet
- possibility to use it for distances between axes of CW 420 to 600 mm
- possibility to use it at fixed distance 180 or 230 mm, the part for mounting of infra-red unit has to be placed at a height so that the open cover of toilet does not shade the active range of flushing unit
- mounting screws M12, waste pipe holder  $\varnothing$  110 mm and water inlet holder  $\varnothing$  40 mm

SLR 03N



## Dimensions



## Supply Specification

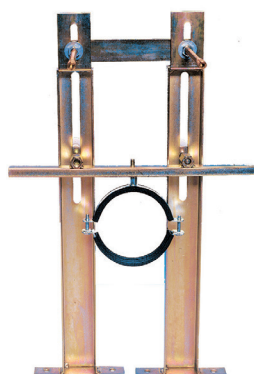
SLR 03N - Supply No. 08031 mounting frame for plasterboard constructions for wall hung toilets and infra-red flushing units, which is placed above the toilet, mounting screws M12

## Characteristics

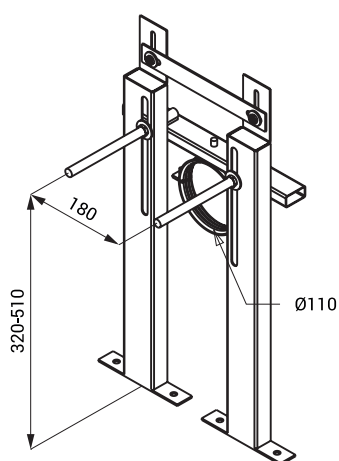
### SLR 03Z

- is destined for the brick wall
- is destined for mounting of wall hung toilets at fixed distance 180 mm
- holder of waste is movable in vertical direction
- mounting screws M12, waste pipe holder  $\varnothing$  110 mm

SLR 03Z



## Dimensions



## Supply Specification

SLR 03Z - Supply No. 08033 mounting frames for the brick wall for wall hung toilets, mounting screws M12

SLR 21

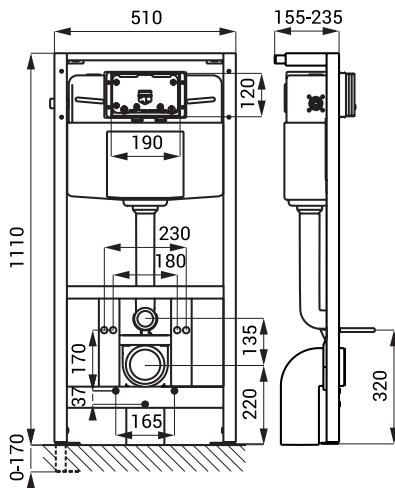


## Characteristics

### SLR 21

- mounting frame with tank destined for plasterboard constructions, for mounting to the floor and to the back wall
- is destined for toilets and flushing units (mechanical, infra-red and electronic touch)
- five-point system for fixing of stainless steel toilets
- metal frame construction with surface finishing - blue powder coated
- adjustable height 1120 - 1290 mm
- adjustable depth 155 - 235 mm
- mounting screws M10, waste pipe holder with connecting set Ø 50 mm and waste pipe holder with the elbow pipe Ø 110 mm

## Dimensions



## Supply Specification

SLR 21 - Supply No. 08210

mounting frame for plasterboard constructions, for mounting to the floor and to the back wall, for toilets and flushing units, mounting set, waste pipe holder with the elbow