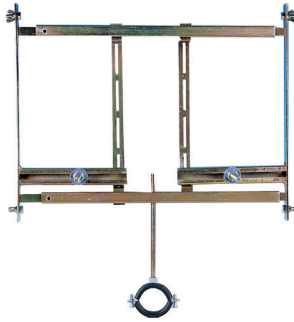
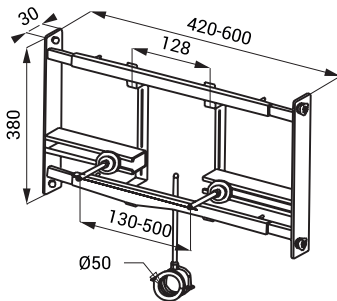


Mounting Frames for Urinals SLR 01, 01L, 02, 02D, 02N a 22



SLR 01

Dimensions



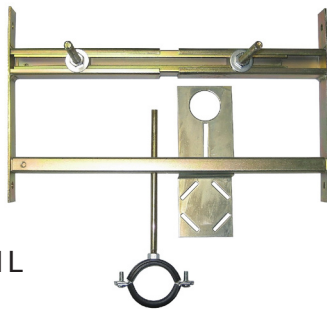
Characteristics

SLR 01

- is destined for plasterboard constructions
- is destined for urinals with mounting box behind the urinal (SLP 12, SLP 24, SLP 25, SLP 32, SLP 33, SLP 37)
- possibility to use it for distances between axes of CW 420 to 600 mm
- surface finishing - yellow zinc-chromat
- mounting to CW profiles by screws with classic nuts
- mounting screws M10 and waste pipe holder Ø 50 mm

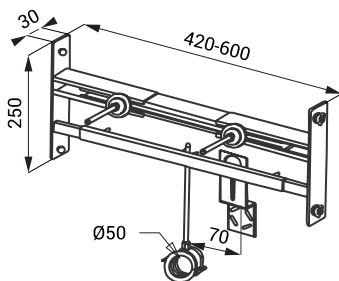
Supply Specification

SLR 01 - Supply No. 08010 mounting frame for plasterboard construction for urinal and flushing unit with mounting box behind the urinal, mounting screws M10



SLR 01L

Dimensions



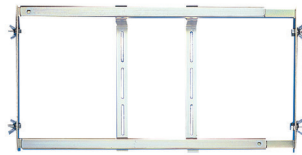
Characteristics

SLR 01L

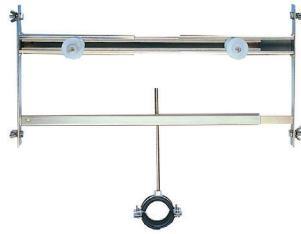
- is destined for plasterboard constructions
- is destined for urinals with radar flushing unit on the mounting rail (SLP 07, SLP 19, SLP 23, SLP 31, SLP 36, SLP 49, SLP 54, SLP 59, SLP 68, SLP 69, SLP 70, SLP 71)
- possibility to use it for distances between axes of CW 420 to 600 mm
- surface finishing - yellow zinc-chromat
- mounting to CW profiles by screws with classic nuts
- mounting screws M10 and waste pipe holder Ø 50 mm

Supply Specification

SLR 01L - Supply No. 08015 mounting frame for plasterboard construction for urinal with radar flushing unit on the mounting rail, mounting screws M10



SLR 02

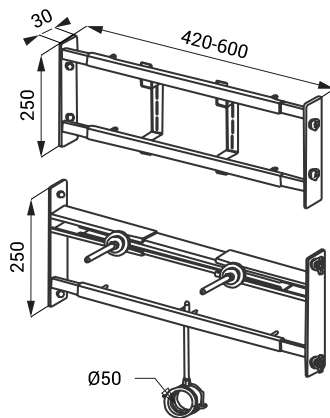


Characteristics

SLR 02

- is destined for plasterboard constructions
- is destined for urinal and infra-red flushing unit, which is placed above the urinal (SLP 02, SLP 06)
- possibility to use it for distances between axes of CW 420 to 600 mm
- surface finishing - yellow zinc-chromat
- mounting to CW profiles by screws with classic nuts
- mounting screws M10 and waste pipe holder \varnothing 50 mm

Dimensions



Supply Specification

SLR 02 - Supply No. 08020 mounting frame for plasterboard construction for urinal with flushing unit, which is placed above the urinal, mounting screws M10



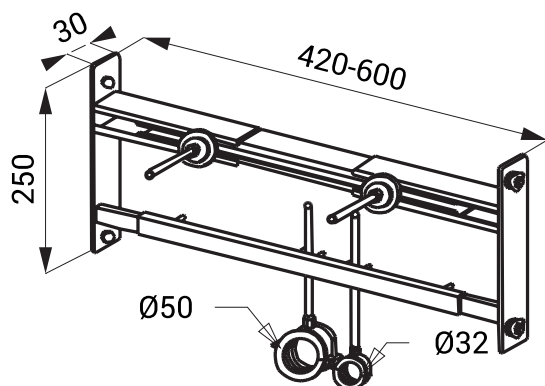
SLR 02D

Characteristics

SLR 02D

- is destined for plasterboard constructions
- is destined for urinal with infra-red flushing unit (SLP 17)
- possibility to use it for distances between axes of CW 420 to 600 mm
- surface finishing - yellow zinc-chromat
- mounting to CW profiles by screws with classics nuts
- mounting screws M8, waste pipe holder \varnothing 50 mm and water inlet holder \varnothing 32 mm

Dimensions



Supply Specification

SLR 02D - Supply No. 08024 mounting frame for plasterboard construction for urinal DOMINO, mounting screws M8

SLR 02N

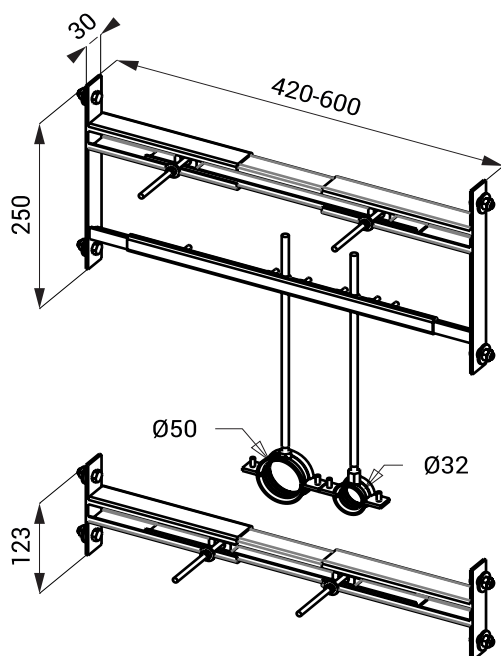


Characteristics

SLR 02N

- is destined for plasterboard constructions
- is destined for stainless steel urinals (SLPN 07, SLPN 09)
- possibility to use it for distances between axes of CW 420 to 600 mm
- surface finishing - yellow zinc-chromat
- mounting to CW profiles by screws with classic nuts
- mounting screws M6, waste pipe holder \varnothing 50 mm and water inlet holder \varnothing 32 mm

Dimensions



Supply Specification

SLR 02N - Supply No. 08021 mounting frame for plasterboard construction for stainless steel urinals, mounting screws M6

SLR 22

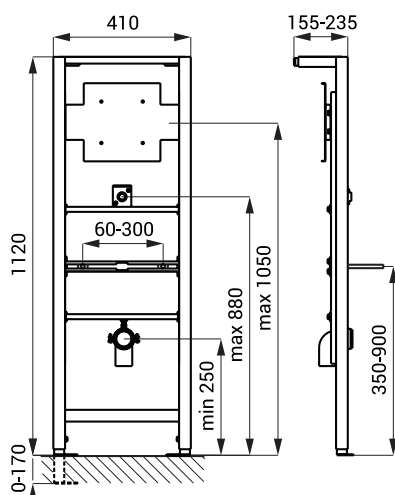


Characteristics

SLR 22

- is destined for plasterboard constructions, for mounting to the floor and to the back wall
- is destined for ceramic urinals and stainless steel urinals (SLPN 07, SLPN 09) and infra-red flushing unit, which is placed above the urinal (SLP 02, SLP 06)
- metal frame construction with surface finishing - blue powder coated
- adjustable height 1120 - 1290 mm
- adjustable depth 155 - 235 mm
- mounting screws M10 and M8, waste pipe holder with the elbow pipe \varnothing 50 mm and watter inlet G 1/2"

Dimensions



Supply Specification

SLR 22 - Supply No. 08220

mounting frame for plasterboard constructions, for mounting to the floor and to the back wall, is destined for ceramic urinals and Sanela stainless steel urinals (SLPN 07, SLPN 09) and infra-red flushing unit, which is placed above the urinal (SLP 02, SLP 06)